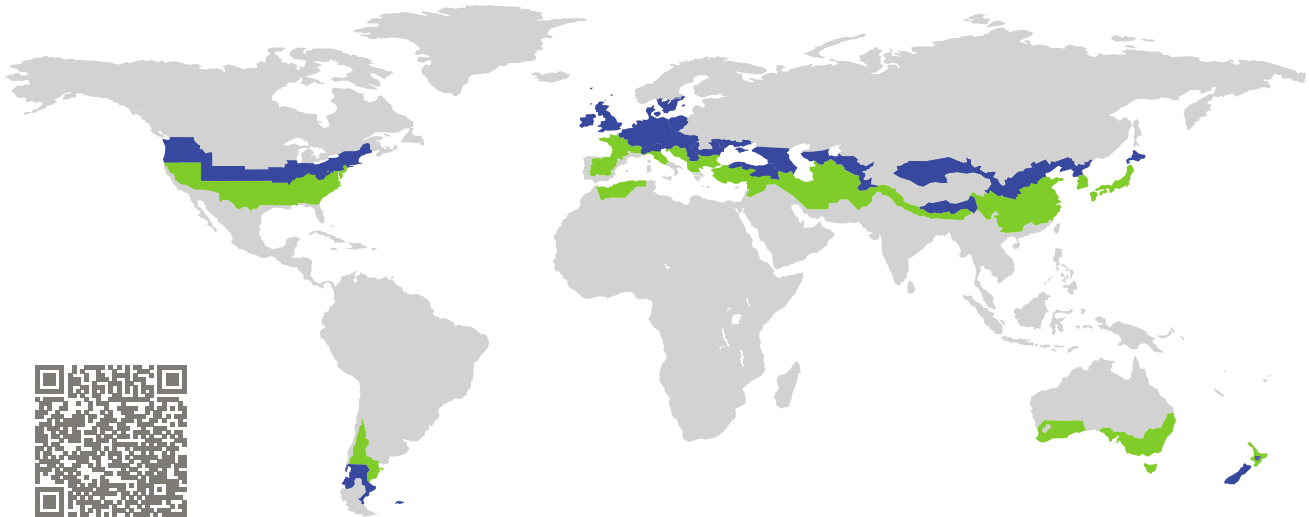


CERTIFICATE

Certified Passive House Component

Component-ID 0473rw03 valid until 31st December 2017

Passive House Institute
Dr. Wolfgang Feist
64283 Darmstadt
Germany

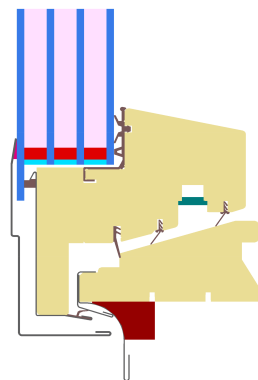


Category: **Rooflight**
Manufacturer: **FAKRO PP sp. z o.o.,**
Poland
Product name: **FTT U8 Thermo 2012**

This certificate was awarded based on the following criteria for the cool, temperate climate zone

Comfort $U_{RL} = 0.91 \leq 1.10 \text{ W}/(\text{m}^2 \text{ K})$
 $U_{RL, \text{installed}} \leq 1.10 \text{ W}/(\text{m}^2 \text{ K})$
with $U_g = 0.41 \text{ W}/(\text{m}^2 \text{ K})$

Hygiene $f_{Rsi=0.25} \geq 0.70$



Passive House
efficiency class

phE

phD

phC

phB

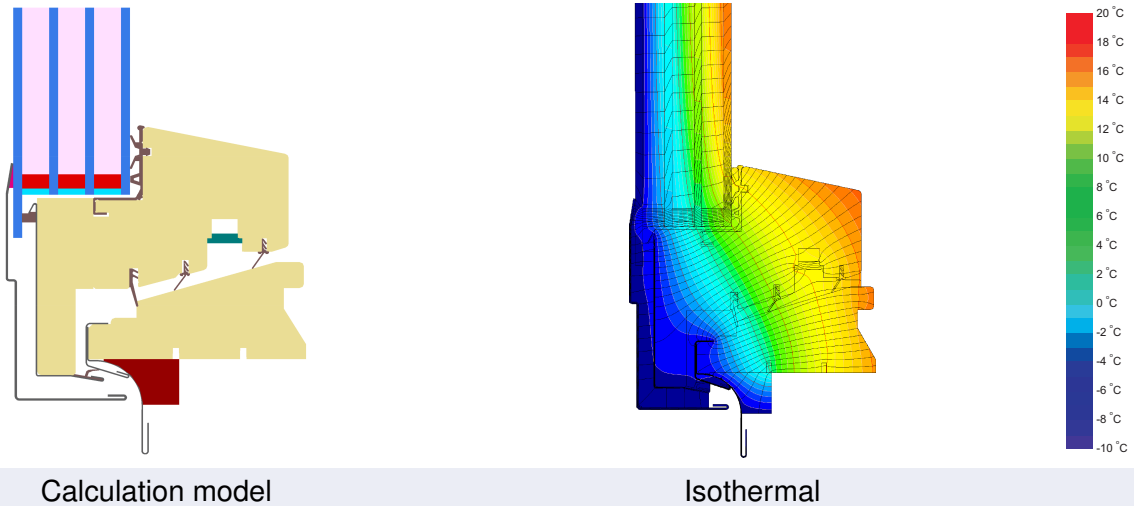
phA

cool, temperate climate



**CERTIFIED
COMPONENT**

Passive House Institute



Description

Timber roof window frame (0,115 W/(mK)), insulated on the outside (0,042 W/(mK)), clad by aluminium. A quadruple glazing is used. Used Pane: 52 mm (4/12/4/12/4/12/4), intersection of the Glass: 20 mm.

Explanation




The window U-values were calculated for the test window size of 1.14 m × 1.40 m with $U_g = 0.41 \text{ W}/(\text{m}^2 \text{ K})$. If a higher quality glazing is used, the window U-values will improve as follows:

Glazing	$U_g =$	0.41	1.00	0.83	0.76	W/(m ² K)
		↓	↓	↓	↓	
Window	$U_W =$	0.91	1.12	1.00	0.95	W/(m ² K)

Transparent building components are classified into efficiency classes depending on the heat losses through the opaque part. The frame U-Values, frame widths, thermal bridges at the glazing edge, and the glazing edge lengths are included in these heat losses. A more detailed report of the calculations performed in the context of certification is available from the manufacturer.

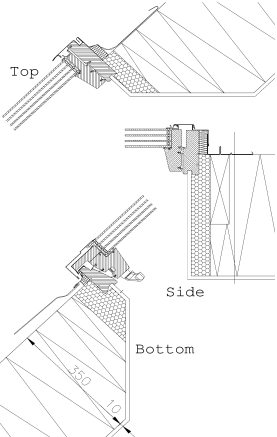
The Passive House Institute has defined international component criteria for seven climate zones. In principle, components which have been certified for climate zones with higher requirements may also be used in climates with less stringent requirements. In a particular climate zone it may make sense to use a component of a higher thermal quality which has been certified for a climate zone with more stringent requirements.

Further information relating to certification can be found on www.passivehouse.com and passipedia.org.

Frame values			Frame width b_f mm	U -value frame U_f W/(m ² K)	Ψ -glass edge Ψ_g W/(m K)	Temp. Factor $f_{Rsi=0.25}$ [-]
Top	(to)		95	1.08	0.034	0.70
Side	(s)		92	1.11	0.037	0.70
Bottom	(bo)		112	1.10	0.034	0.70
			Spacer: TGI	Secondary seal: Polysulfide		

Validated installations

Lightweight roof



$\Psi_{install}$	W/(m K)
Top	0.044
Side	0.050
Bottom	0.040

$U_{W,installed} = 1.06 \text{ W/(m}^2 \text{ K)}$

